

RFID HF



Filter 13,56 MHz

13 MHz Bandpass Filter
0.4 MHz Bandwidth
lower Sideband

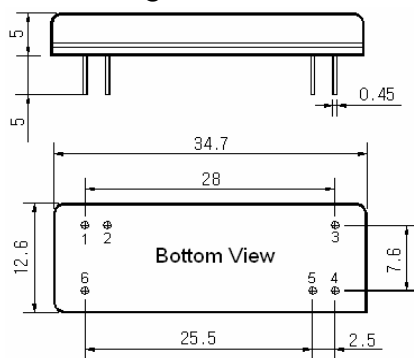
Specification

Parameter	Unit	Min.	Typ.	Max.
Center Frequency	MHz	-	13.00	-
Insertion Loss	dB	-	26.00	28.50
Passband Ripple(Fc±200KHz)	dB	-	3.50	-
Absolute Delay	usec	-	7.62	-
Ultimate Attenuation	dB	-	80	-
Substrate Material	-	112-LiTaO ₃		
Temperature Coefficient	ppm/°C	-20		

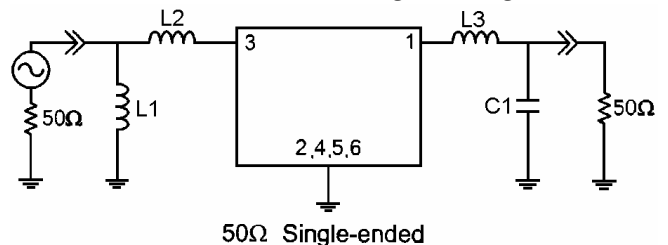
RoHS Compliant



Package Dimension



Matching Configuration



L1=0.47μH, L2=1.0μH, L3=1.2μH, C1=300pF,
Source / Load Impedance = 50Ω
Ambient Temperature = 25°C

Typical Performance

